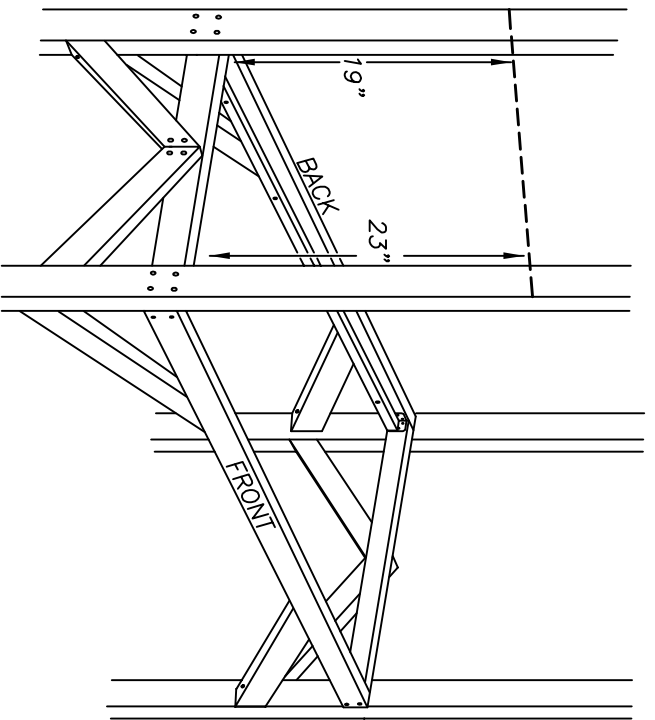
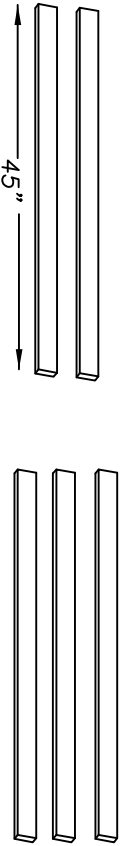


USE A STRAIGHT EDGE TO MARK UP THE TRUSS AT APPROX. A 10°  
 (DO NOT CUT YET! ONLY MAKE MARKS)

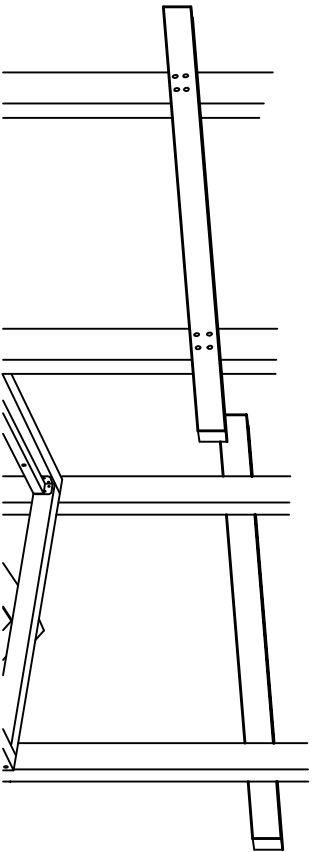


DO THE SAME FOR EACH SIDE

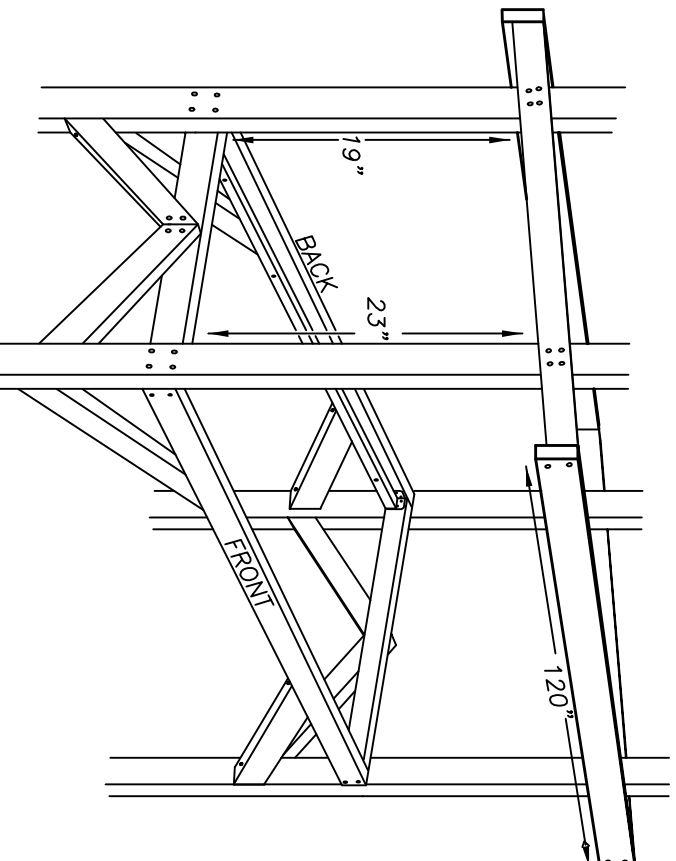
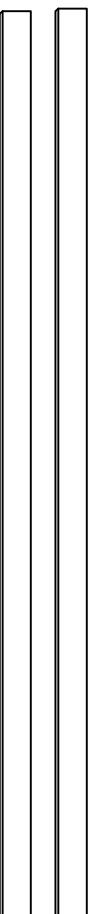
CUT (5) 45" 2X3's WITH PARALLEL 10°



ATTACH (2) ON EITHER SIDE, SAVE OTHER (3) FOR INSIDE TRUSSES



(2) 10' 2X4's



ADD THE (3) REMAINING JOISTS TO THE INSIDE  
 MEASURE 59" FROM ONE SIDE TO GET THE EXACT MIDDLE  
 AND 30" FROM THE MIDDLE TO SPLIT THE SIDES  
 (A CLAMP HELPS HOLD THESE UP)

